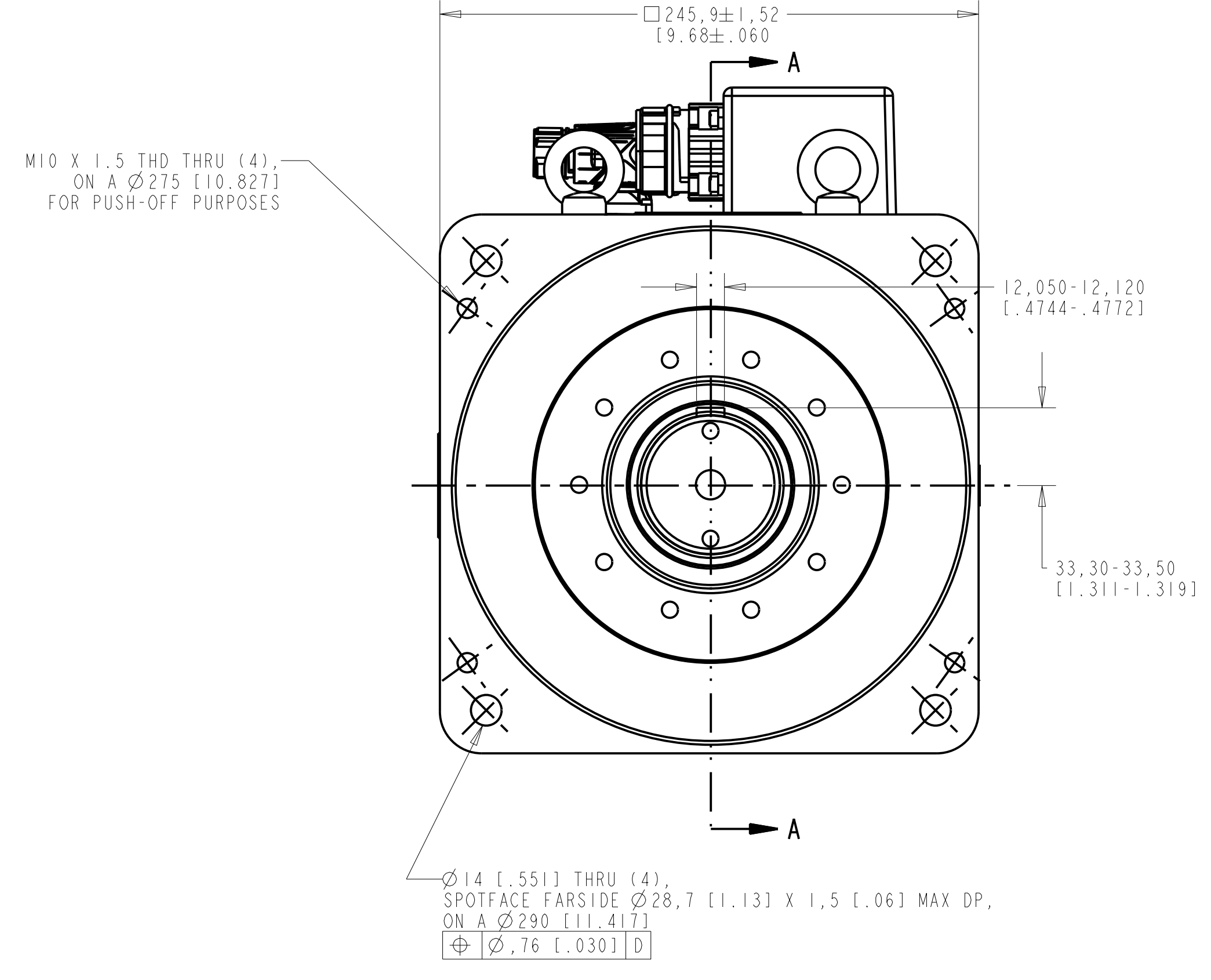
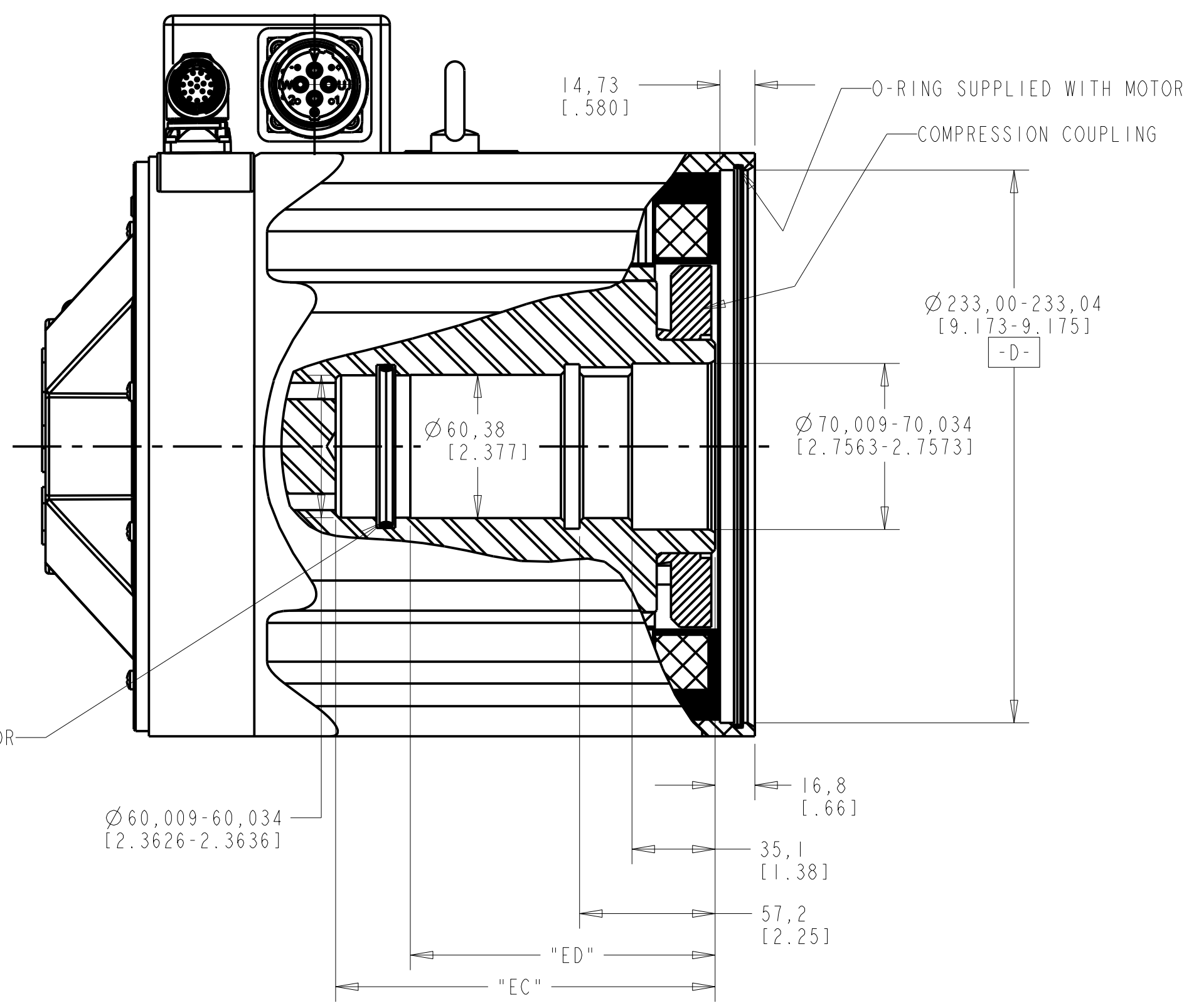
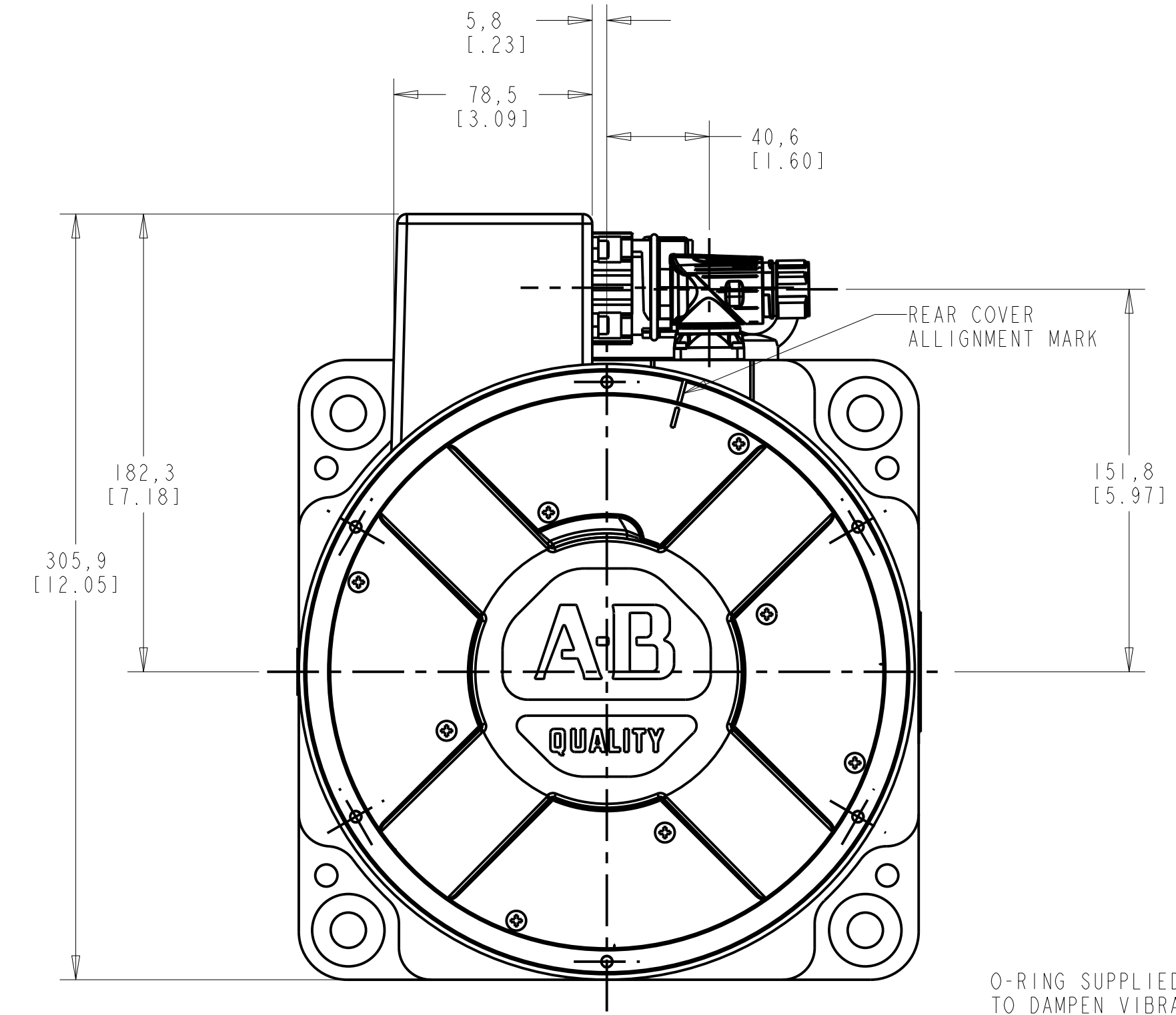
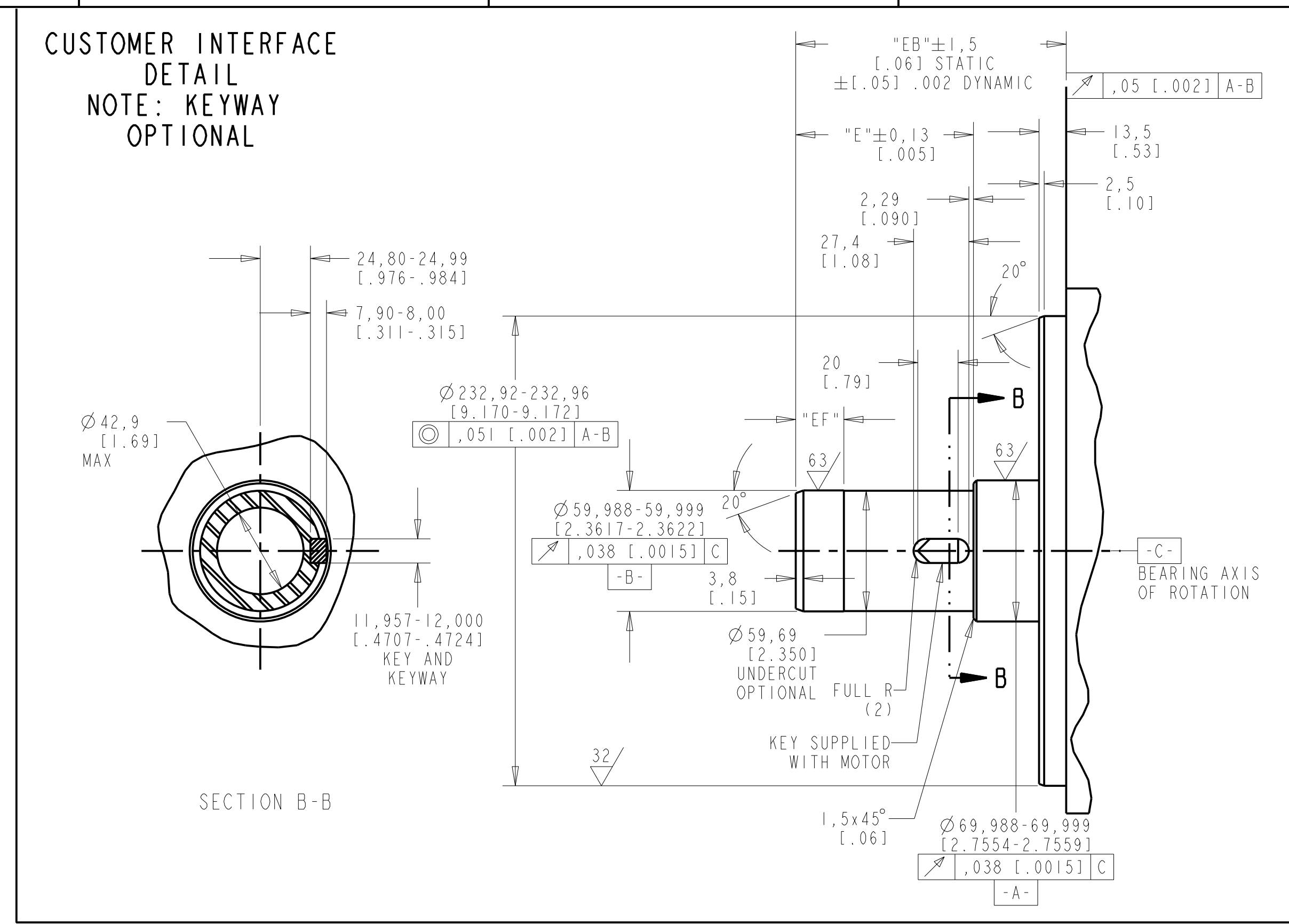
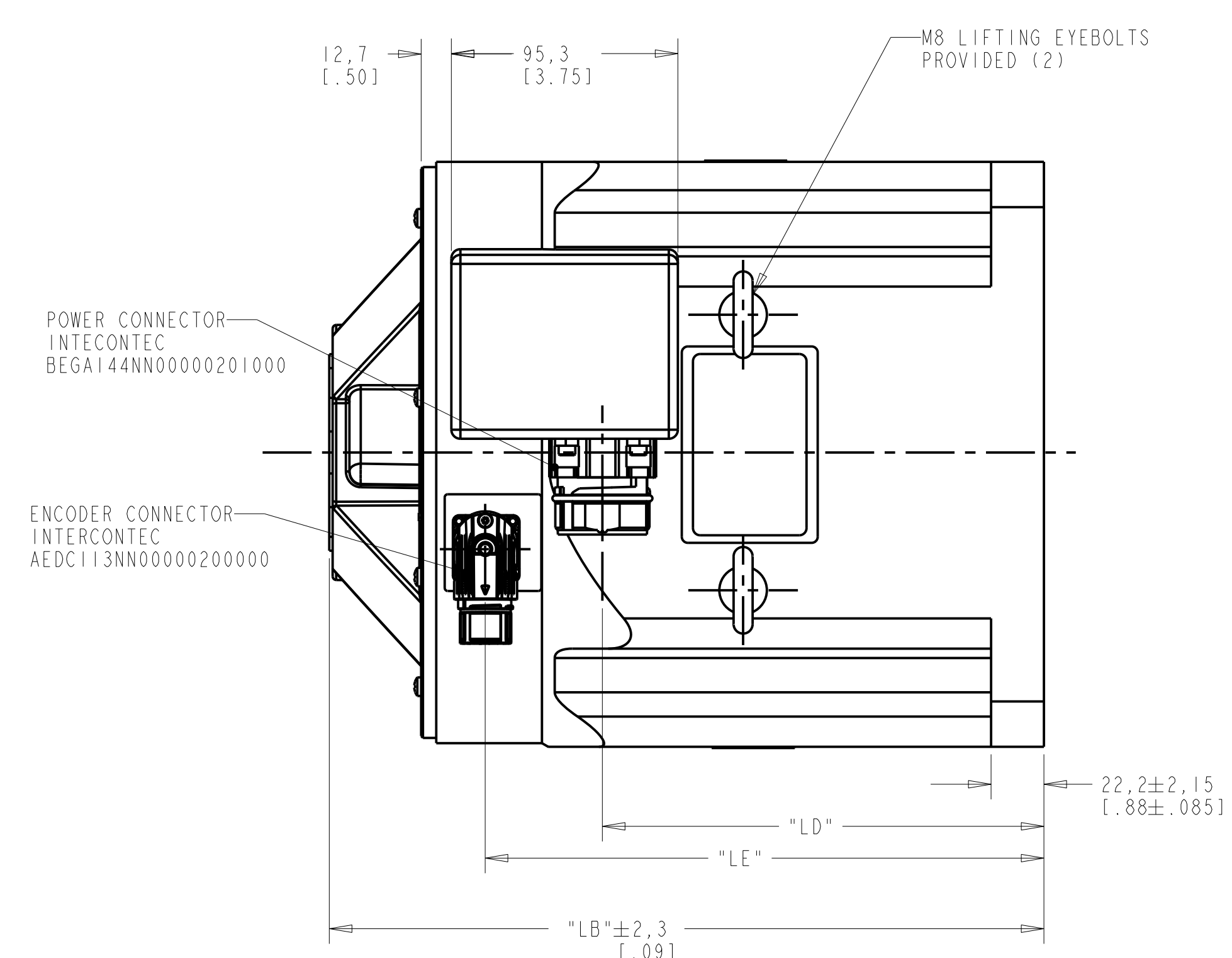


MOTOR			
MODEL	RDB-B2901	RDB-B2902	RDB-B2903
DIM "LB"	201,2 [7.921]	250,7 [9.871]	300,5 [11.833]
DIM "LD"	86,46 [3.404]	136,07 [5.357]	185,67 [7.310]
DIM "LE"	135,74 [5.344]	185,34 [7.297]	234,95 [9.250]

SHAFT			
MODEL	RDB-B2901	RDB-B2902	RDB-B2903
DIM "E"	43,94 [1.730]	88,14 [3.470]	124,71 [4.910]
DIM "EB"	89,92 [3.540]	134,11 [5.280]	170,69 [6.720]
DIM "EC"	77,7 [3.06]	123,4 [4.86]	160,0 [6.30]
DIM "ED"	57,2 [2.25]	93,5 [3.68]	128,5 [5.06]
DIM "EF"	9,7 [.38]	23,9 [.94]	25,4 [1.00]

PIN-OUT POWER CONNECTOR		PIN-OUT ENCODER CONNECTOR	
PIN	FUNCTION	PIN	FUNCTION
U	U	1	SIN +
V	V	2	SIN -
W	W	3	COS +
⊕	GND	4	COS -
-	-	5	DATA +
-	-	6	DATA -
1	-	7	CLK+
2	-	8	CLK-
		9	EPWR 9V
		10	ECOM
		11-12	-
		13	TS +
		14	TS -
		15-17	-



NOTES:
 1 DXF FILE OF THIS DRAWING MUST BE SCALED TO LENGTH, SEE CHART ABOVE. MODEL SHOWN IS "RDB-B29093-xB72AA".
 2. 3D STEP (.stp) FILES AVAILABLE FOR ALL MODELS.

UNLESS OTHERWISE SPECIFIED
 DO NOT SCALE DRAWING DIMENSIONS ARE IN MILLIMETERS WITH INCHES REFERENCED (X) UNTOLEERANCED DIMENSIONS ARE REFERENCE 3RD ANGLE PROJECTION

Rockwell Automation

RDB-B290xx-xB72AA, ESM
 Size M40 Conn

CONFIDENTIAL AND PROPRIETARY INFORMATION
 THIS DOCUMENT CONTAINS CONFIDENTIAL AND PROPRIETARY INFORMATION OF ROCKWELL AUTOMATION, INC. AND MAY NOT BE USED, COPIED OR DISCLOSED TO OTHERS, EXCEPT WITH THE AUTHORIZED WRITTEN PERMISSION OF ROCKWELL AUTOMATION, INC.

Sheet 1 of 1

10000076656

Ver 00

Drawn by: SJOHNSON Date: 05-21-09